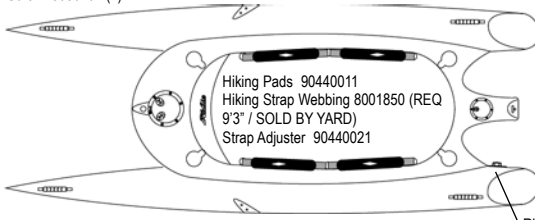


HOBIE BRAVO

REPLACEMENT HULL - 90010000

Handle '08 71190021
Handle 71190011
Screw 8030201 (2)

Decals -
12450015 "Curtis" Set
12450016 "Bravo" Each



Drain Plug w/ gasket
10091000 (2)
EZ LOC Rudder Pintles
Upper Pintle 90880211
Lower Pintle 90880221
Pintles: (For Aluminum
Castings / Pre-March 2004)
Upper Pintle 90880111
Lower Pintle 38101401
Long Loc Screw 8030411
Righting Line RL012BLU 10' 9"
Cheek Block H233
Screws 8030071

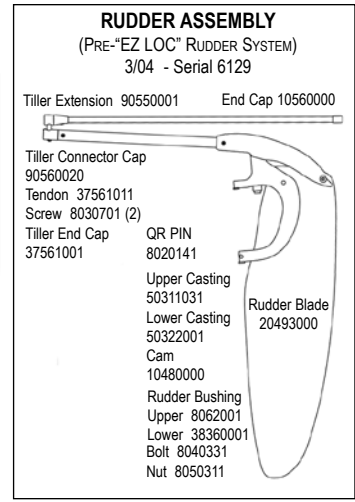
Fwd Hatch 8" 71702011
Fwd Hatch Gasket 71331001
Screws 8031130

Rear Hatch 6" 71701011
Rear Gasket 71320001
Screw 8030261

RUDDER ASSEMBLY - EZ LOC

90312000

Tiller Extension 90550011 Grip 3206
Tiller Hinge 10532010
Screw 8032061
Nut 8050101
Hinge Yoke 3205
End Cap 90560041
Screw 8031191
Washer 8080561
Mainsheet Bracket 90700201
Screw 8030981
Nut 8050211
Upper Bolt 8040391
Nut 8050331
EZ LOC Housing 50313001
Detent Plunger 20492021
Retainer Clip 90880231
Bungee (3/16" x 10") RS316BLK
Lower Bolt 8040321
Washer 8080671
Nut 8050331



RUDDER ASSEMBLY
(PRE-"EZ LOC" RUDDER SYSTEM)
3/04 - Serial 6129
Tiller Extension 90550001 End Cap 10560000
Tiller Connector Cap 90560020
Tendon 37561011
Screw 8030701 (2)
Tiller End Cap 37561001
QR PIN 8020141
Upper Casting 50311031
Lower Casting 50322001
Cam 10480000
Rudder Bushing Upper 8062001
Lower 38360001
Bolt 8040331
Nut 8050311

"A" Frame Vertical Support Assy
Serial Numbers to 0701 90710011
Serial Numbers 0702 - To current 90710000

A-frame Connector 90501031
Screw 8030380 (Older)
Screw 8030361 (Newer)
Washer 8080481 (Newer)

Furler Strap w/ Clip 90501036
Washer 8080551
Screw 8030181

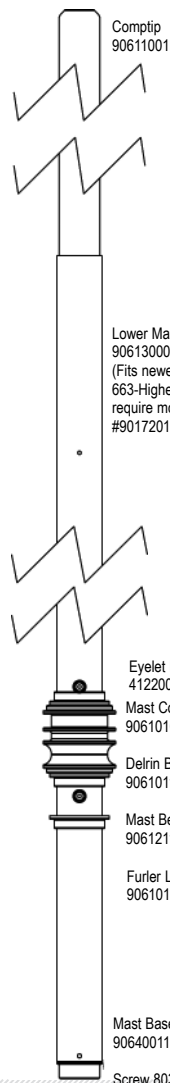
A-Frame Support Base Cap 90710010 (Newer 5/16-18)
8031810 Stud 5/16-18

Bravo Mast Float w/Straps and Buckles
90600012 UNIVERSAL



Nylon "Saddle" Strap 90600021 (2 Per)
Screw 8030071 (4 Per)
Attachment Web Strap W/ Buckle 90600041 (2 Per)

MAST



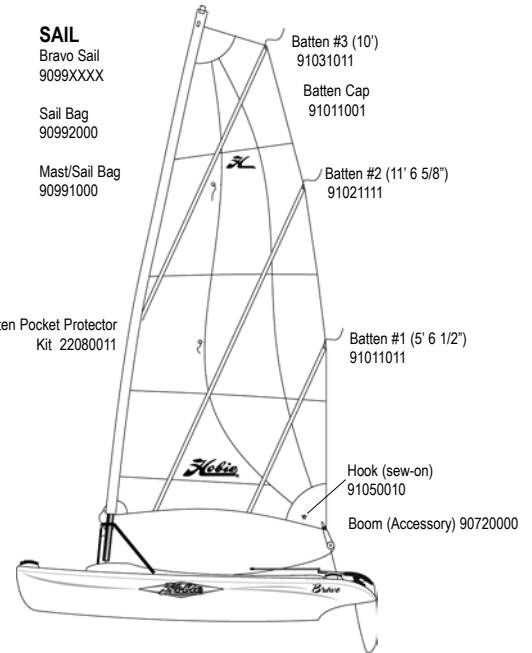
Comptip 90611001

Lower Mast 90613000
(Fits newer boats serial 663-Higher) Older boats require modified step assy #90172011

Eyelet Posts (2) 41220001
Mast Collars (3) 90610101
Delrin Balls (48) 90610111
Mast Bearing 90612111
Furler Line 90610121
Mast Base 90640011
Screw 8031151

SAIL

Bravo Sail 9099XXXX
Sail Bag 90992000
Mast/Sail Bag 90991000



Batten #3 (10') 91031011
Batten Cap 91011001

Batten #2 (11' 6 5/8") 91021111

Batten #1 (5' 6 1/2") 91011011

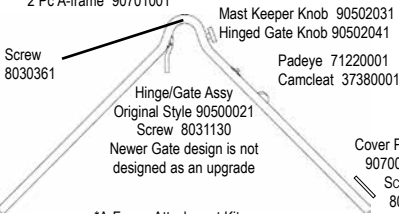
Hook (sew-on) 91050010

Boom (Accessory) 90720000

Luff Batten Pocket Protector Kit 22080011

A-FRAME

2 Pc A-frame 90701001*



Mast Keeper Knob 90502031
Hinged Gate Knob 90502041
Padeye 71220001
Camcleat 37380001

Cover Plate 90700050
Screw 8031130

*A-Frame Attachment Kit
Serial 0001-0501 Part #90711001
Serial 0502-Current Part #90711011

MAST STEP ASSY

Mast Step Assy 90170011 (Serial 663-NEWER)
Mast Step Assy 90170001 (Serial 662-OLDER)

Screws 8032011
Mast Ball 90640021

BRAVO RIVET GUIDE

() Indicates quantity need to fasten part

Mast

Comptip Notch 8010181(1)
Collars 8010131 (4/collar)
Eyelet Posts 8011231 (1/post)

A-Frame

Gate Hinge 8012062 (1)
Padeye 8010131 (2)
Cam Cleat 8010131 (2)

Vertical Support Tube

Base 8010181 (4)
Webbing Strap 8010181 (2)
A-frame Connector 8010131 (2)

Rudder

Upper Casting 8010131 (3)
Tiller End Cap 8010131 (2)
Bravo Extension Cap 8010181 (1)

Boom

End Cap 57130000(2)
Boom Cap Casting 8010131 (2)
Padeyes 8010131 (2/padeye)
Cam Cleat 8010131 (2)

RIGHTING LINE



Mainsheet Line RM516BLU (28 1/2')

Single Block 90440050

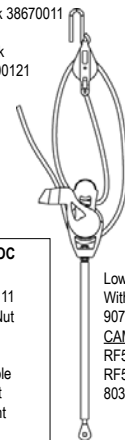
Righting Line RL012BLU (10' 9")

Bungee Cord RS014BLK (7')

Cheek Block H233

Mainsheet System

Hook 38670011
Block 90700121



Pre-EZ LOC

Nut 8050111
Low Pro Nut 8050101
Older Cable Mainsheet attachment assembly 90700011

Lower Block With Post 90700131
CAM CLEAT RF5011 CAM CLEAT RF5015 FAIRLEAD 8030241 SCREW (2)